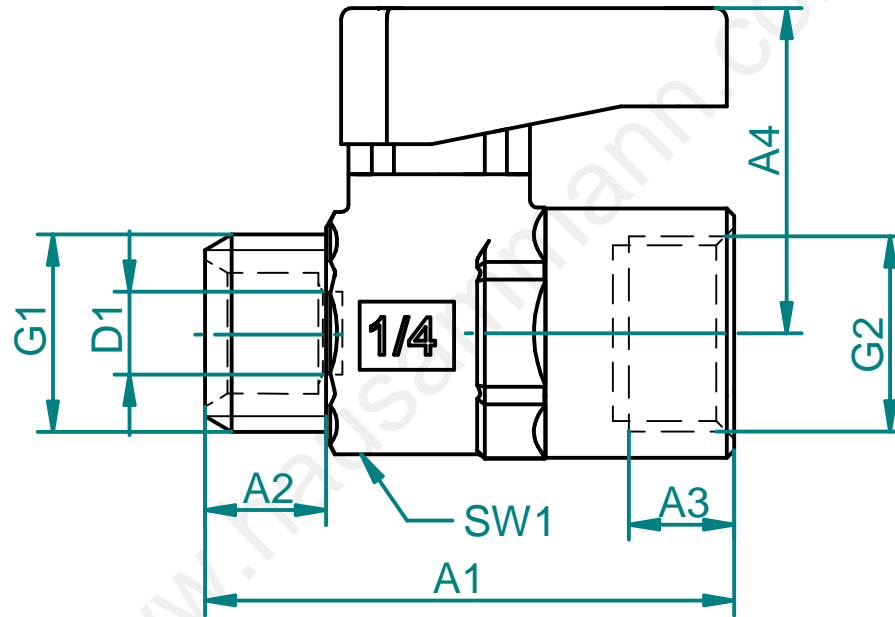



General tolerances ISO 2768-m						Index	Date	Visum	Modification	Index	Date	Visum	Modification
Basic-size	...6	> 6 ...30	> 30 ...120	> 120 ...400	> 400 ...1000								
medium	±0.1	±0.2	±0.3	±0.5	±0.8								



Specifications points D,K,H	
D= doc.points	
K= critical	
H= main	

		Material:									
		Messing verchromt									
		Scale									
		2:1									
		<table border="1"> <thead> <tr> <th>Date</th> <th>Visum</th> <th>Phone</th> </tr> </thead> <tbody> <tr> <td>31.08.11</td> <td>E.Z</td> <td></td> </tr> </tbody> </table>		Date	Visum	Phone	31.08.11	E.Z			
Date	Visum	Phone									
31.08.11	E.Z										
		checked									
		15.112									
		Solid Edge		Format A4 Index 00							
Accord-draw.no.: Origin-draw.no.: Replacement for:		 HAUSAMMANN KOMONENTEN PRODUKTION SYSTEME		© 2 010, Für dieses Dokument behalten wir uns alle Rechte vor.							
		© 2 010, Nous nous reservons tous les droits sur ce document		© 2 010, We reserve all rights in connection with this document							